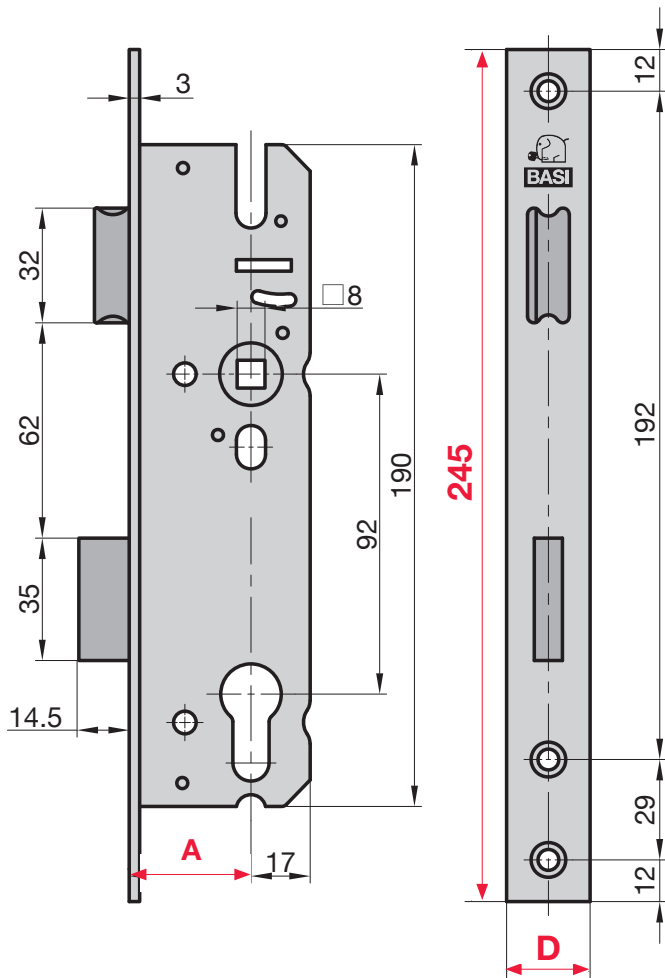


Mortise Lock For Tubular Frame Doors

Choose. Measure. Order.



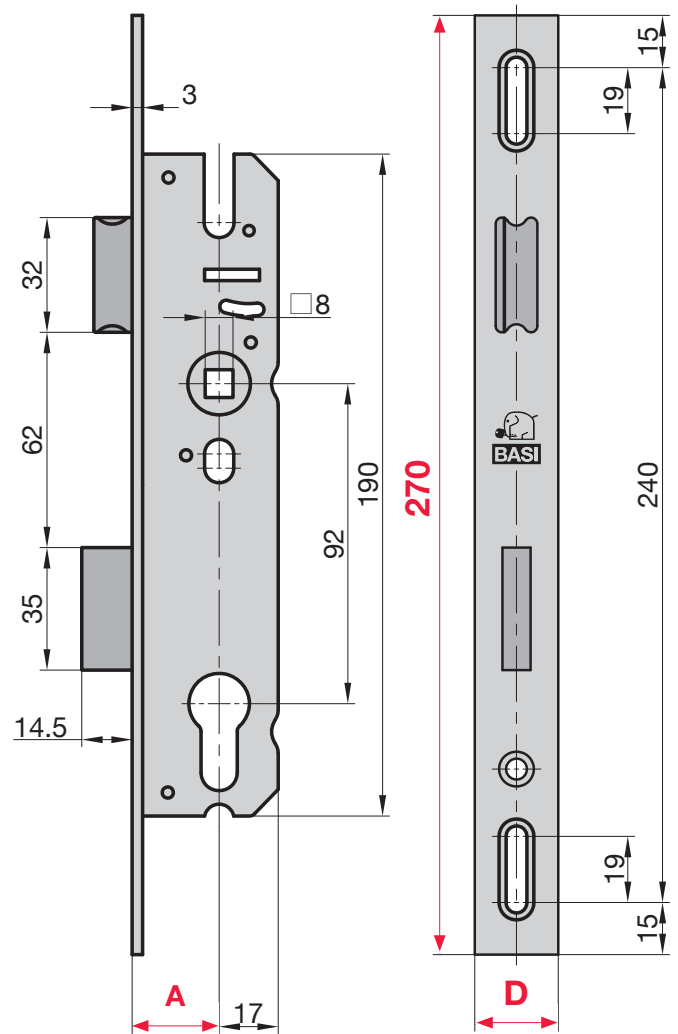
angular / U-type



Backset A
<input type="checkbox"/> 25 mm
<input type="checkbox"/> 30 mm
<input type="checkbox"/> 35 mm
<input type="checkbox"/> 40 mm

Face Plate D
<input type="checkbox"/> 16 mm angular
<input type="checkbox"/> 24 mm angular
<input type="checkbox"/> 24 mm U-type

long hole angular



Backset A
<input type="checkbox"/> 25 mm
<input type="checkbox"/> 30 mm
<input type="checkbox"/> 35 mm
<input type="checkbox"/> 40 mm

Face Plate D
<input type="checkbox"/> 24 mm face plate with long hole

